

MiBOXER[®]

Mi • Light Subordinate New Brand

GU10 RGB+CCT LED Spotlight (FUT103)

MR16 RGB+CCT LED Spotlight (FUT104)

[0201-4]

1. Features



RGB+CCT
16 Millions of colors to choose



Color temperature
2700~6500K



Dimmable
Saturation control



2.4G RF wireless transmission
technology



Signal transmitting &
Modes synchronization



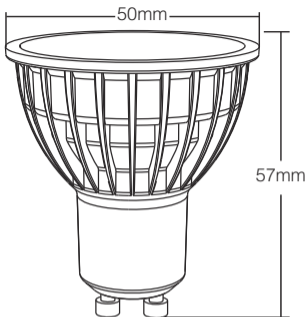
Remote control
Control distance 30m



Smart phone APP control
(2.4GHz gateway is needed)



Support third party voice control
(2.4GHz gateway is needed)



GU10 RGB+CCT LED Spotlight

Model No.: FUT103

Power: 4W

Voltage: AC100~240V

Working Temp.: -20~60°C

Color Temp.: 2700~6500K

Luminous Flux: 250LM-280LM

Luminous Efficiency: 70LM/W

CRI: >80

PF: 0.55

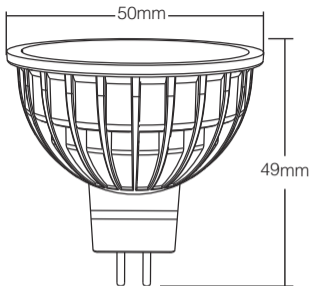
Lifespan: 50000h

Beam Angle: 25°

RF: 2.4GHz

Transmitting Power: 6dBm

Control Distance: 30m



MR16 RGB+CCT LED Spotlight

Model No.: FUT104

Power: 4W

Voltage: AC/DC12V

Working Temp.: -20~60°C

Color Temp.: 2700~6500K

Luminous Flux: 250LM-280LM

Luminous Efficiency: 70LM/W

CRI: >80

Lifespan: 50000h

Beam Angle: 25°

RF: 2.4GHz

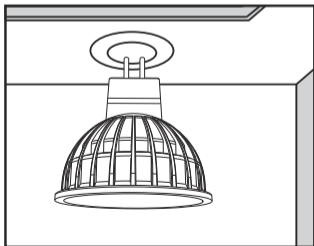
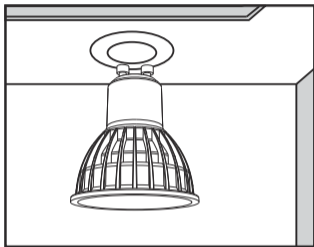
Transmitting Power: 6dBm

Control Distance: 30m

2. Instructions

Step 1

Put the light bulb in the suitable lighting fixture.



Step 2: Link/Unlink

Compatible with these remote controls (Purchased separately)



FUT089



FUT088



FUT092



FUT096



B8



B0



B3 / T3



B4 / T4



WL-Box1

⚠ NOTE:

Lighting can be working after linking with remote;
for more details, pls read the remote instruction.

3. Dynamic Mode Sheet

Number	Dynamic Mode	Brightness / Saturation / Speed
1	Mardi Gras	Adjustable
2	Automatic color change	
3	Sam	
4	Gemstone	
5	Twilight	
6	American	
7	Fat Tuesday	
8	Party	
9	Slow Color Splash	

4. Signal transmitting

One lighting fixture can transmit the signals from the remote control to another lighting fixture within 30m, as long as there is a lighting fixture within 30m, the remote control distance can be limitless.

5. Modes synchronization

Different lighting fixture can work synchronously when they are started at different times, controlled by the same remote, under same dynamic mode and within 30m distance.



Signal transmitting &
Modes synchronization



Spotlight

Spotlight ...

Distance 30m

Distance 30m

6. Attention

1. When install the lighting fixtures, pls switch off the power to make sure the safty.
2. Please check whether the input voltage supply is in accordance with the lighting fixtures.
3. Non-professional user cannot dismantle the lighting fixtures directly, otherwise, it may cause fire and electric shock.
4. Please do not use lighting fixtures around the mental area and high magnetic field, otherwise, it will badly affect the control distance.



www.futlight.com

Made in China

