

SAFETY

1. The lighting fitting should be installed, repaired and maintained by a person with the appropriate qualifications. Incorrect installation or tampering of the fitting's construction carries a risk of electric shock.
2. Installation of the lighting fitting must be carried out in accordance with its purpose and these instructions.
3. When connecting the lighting fitting to the power network, make sure that the power supply parameters correspond to the rated power. Make sure to connect the protective conductor. After connecting to power network the lighting fitting is energized.
4. Do not touch the device with wet or damp hands or objects.
5. In case of suspicion of damage to the electrical part of the device (LED driver, LED strip, power wires), do not use the lighting fitting.
6. The device should be mounted in such a way that enables natural heat dissipation, never obscure lighting fitting.
7. For ceiling installation (especially for mounting on surfaces with different thermal expansion than the lighting fitting) or suspended installation (wires for suspended installation are part of an additional accessory kit and are not part of a basic set) one needs to use only attached metal mounting brackets. Never fix the fitting firmly on a ceiling without those brackets.
8. The manufacturer does not guarantee proper operation of the fitting and shall not be responsible for any potential damage or injury resulting from installation, repair or maintenance performed in contrary to the instructions, generally accepted principles of installation, occupational safety rules, intended use or when the installation was performed by a person without appropriate permissions.

PROTECTION OF ENVIRONMENT

1. Cardboard or paper elements of the packaging should be sent for recycling paper or deposited into a container for paper waste, while plastic packaging into a container for plastic waste.
2. Obsolete lighting fitting must not be disposed of as household waste and should be delivered to a special WCCC collecting point.

GUARANTEE

1. The guarantee is valid for a period of 24 months from a date of a purchase.
2. The guarantee shall not cover mechanical damage, damage caused by improper installation, operation or modifications of the lighting fitting as well as changes occurring due to natural wear and tear of the product.
3. The manufacturer reserves that it does not take responsibility for the improper operation of the lighting fitting as a result of interference in the lighting fitting construction carried out by the user without permission.
4. Application of the lighting fitting: industrial lighting (production halls, warehouses, garages etc.).

intelight

WATERPROOF LIGHT FITTINGS WARS LED PANEL

Installation and maintenance instructions



WARS LED PANEL 1x60



WARS LED PANEL 2x60

Versions:

- Wars LED Panel 1x60, Wars LED Panel 2x60;
- Wars LED Panel 1x120, Wars LED Panel 2x120;
- Wars LED Panel 1x150, Wars LED Panel 2x150

TECHNICAL DATA

Power supply	Source	Minimum distance from illuminated object	IP rating	Insulation class	Type of surface
230 VAC / 50Hz	LED	0.5 m	IP65	I	Flammable surface

Versions	Total power	LED power	Min. luminous flux
WARS LED PANEL 1x60	19 W	16 W	2100 lm
WARS LED PANEL 2x60	24 W	20 W	2700 lm
WARS LED PANEL 1x120	39 W	34 W	3200 lm
WARS LED PANEL 2x120	49 W	43 W	4600 lm
WARS LED PANEL 1x150	49 W	43 W	4900 lm
WARS LED PANEL 2x150	60 W	53 W	5800 lm

Version	Dimensions and weights of the lighting fitting					
	1x60	2x60	1x120	2x120	1x150	2x150
Length [mm]	661	661	1262	1262	1565	1565
Width [mm]	88	124	88	124	88	124
Height [mm]	88	88	88	88	88	88
Weight [kg]	0,9	1,1	1,5	2,0	1,9	2,5
Fixing holes spacing (A) [mm]	400	400	898	898	1002	1002



Handling of obsolete equipment



Pursuant to the Act of 29 July 2005 on waste electrical and electronic equipment and the Act of 24 April 2009 on batteries and accumulators, the presented device, after use, due to hazardous substances contained in it, is subject to collection of waste electrical and electronic equipment. Detailed information on WEEE collection can be obtained from municipal authorities.

intelight

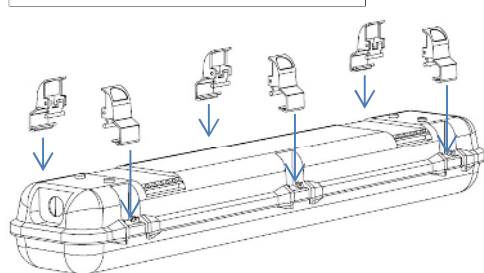
Intelight Sp. z o.o.
8, Rydygiera str.
01-793 Warsaw, Poland

INSTALLATION OF THE LIGHTING FITTING

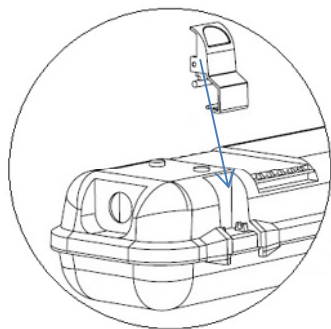
1. Prior to installation, remove the lighting fitting from the box and read the following instructions for assembly and use. The lighting fitting should be used indoors.
2. Unpack the accessories: closing clips, a cable gland, installation brackets, plugs and screws.
3. Install the closing clips by clicking them in their places. See the drawings - part "I".
4. On the ceiling, in the place where the lighting fitting is to be fixed, mark the points for drilling holes for plugs for metal installation brackets.
5. One need to use only provided metal mounting brackets for installation of the lighting fitting. Direct installation to a ceiling is not suggested as it may result in loss of IP protection level, especially because thermal expansion characteristics of the surface and the body may vary considerably, what can lead to damage of the body and loss of the guarantee.
6. Depending on the surface (wood, concrete) drill holes for mounting the lighting fitting, in accordance with the mounting holes on metal brackets and fixing holes spacing A. Then fix the brackets and click the fitting base into the brackets. See the drawings – part "II".
7. Open the mounting plate by squeezing the bifurcated fixings for narrow fittings (1x) or turning the wing fixings by 90° for wide fittings (2x). Leave the plate hung on the safety slings, after making sure they are attached both to the base and the mounting plate. See the drawings – part "III".

INSTALLATION DRAWINGS

I. CLICKING-IN CLOSING CLIPS



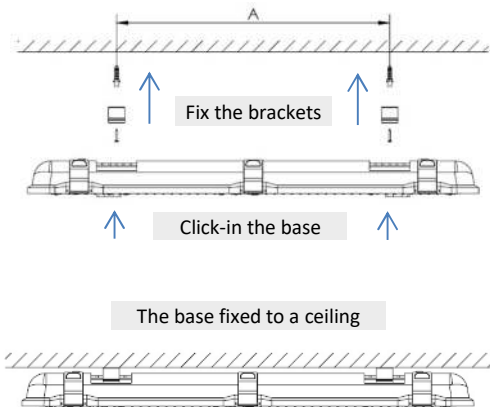
Click-in all closing clips to the base in a way shown on the right



II. FIXING TO THE CEILING

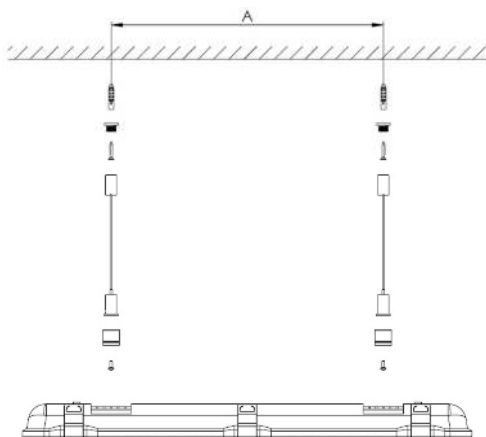
Fix installation brackets (2 pcs) to the ceiling using attached plugs for concrete wall and screws (both 4 pcs, 2 pcs per bracket), spacing A depends on a fitting's length

On-ceiling way

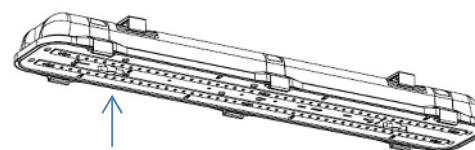


Suspended way

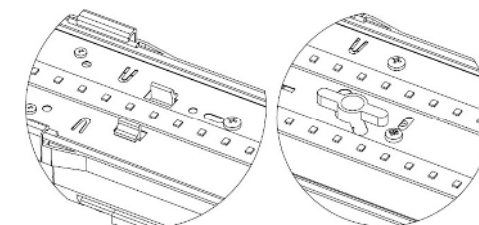
(needs an accessory - suspension mounting kit)



III. OPENING THE MOUNTING PLATE

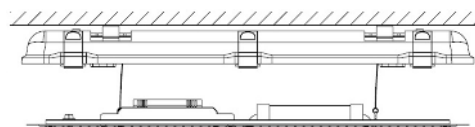


Open the mounting plate by opening 2 fixings by...



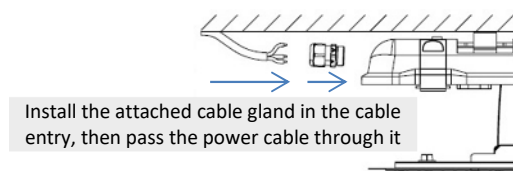
...squeezing the bifurcated fixings for 1x version fittings

...turning the wing fixings by 90° for 2x version fittings

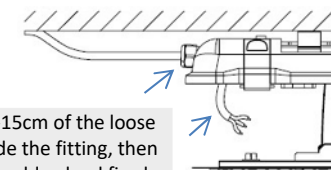


Let the mounting plate hang loose on 2 safety slings (first make sure they are attached both to the base and the plate)

IV. POWER CABLE WIRING

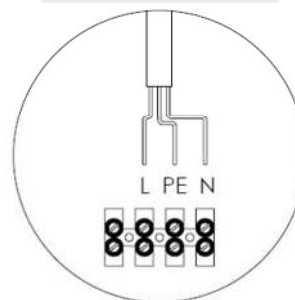


Install the attached cable gland in the cable entry, then pass the power cable through it

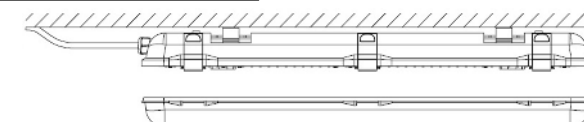


Leave 10-15cm of the loose cable inside the fitting, then screw the cable gland firmly

Connect the wires to the appropriate terminals as shown below

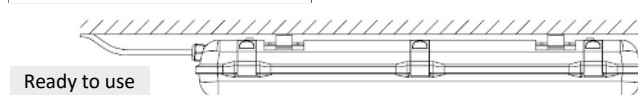


V. CLOSING THE FITTING



Re-install the mounting plate, secure it with its fixings, then put the diffuser / cover and secure it in place by means of closing clips

VI. AFTER INSTALLATION



Ready to use